

auto electrical parts

Technical Information Sheet

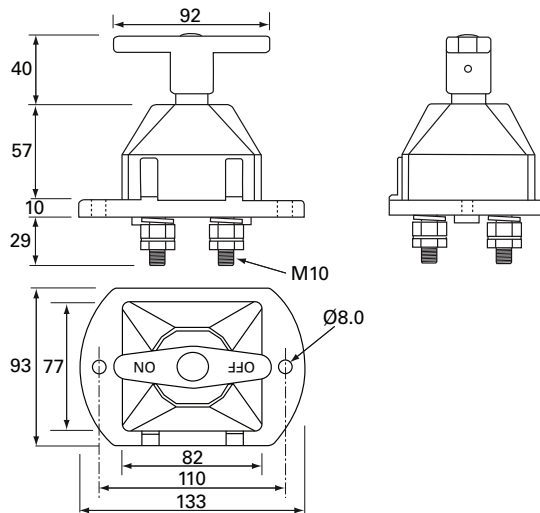
Part No. 0-605-26

Marine double pole battery isolator with fixed handle.
 Rated 250 amps at 24 volt and 2500 amps for 5 seconds.
 Connects or disconnects both poles simultaneously. M10 studs.



TERMS	0	1
1-2		■
3-4		■

Technical Drawing (not to scale)



Specification

Type	Marine double pole battery isolator
Voltage	12 to 48 volt dc
Current max continuous	250 amp
Current intermitant	1000 amp (10 sec), 2500 amp (5 sec)
Studs	Copper
Nuts	Brass
Protection	IP65
Operating temperature	-40°C to +85°C
Dimensions	See diagram
Weight	1.02Kg

The information contained in this document is correct to the best of our knowledge at the time of printing. However, specifications may change at any time without notice.